

Valves / Manifolds / Manifolds

CONSTRUCTIVE PROPERTIES

	STANDARD	OPTIONAL
Material of Case	Nickel Plated	-
Heater Connection	G 1"	-
The Number Of Mouth	2-10	-
Line Connection	G 1/2"	-

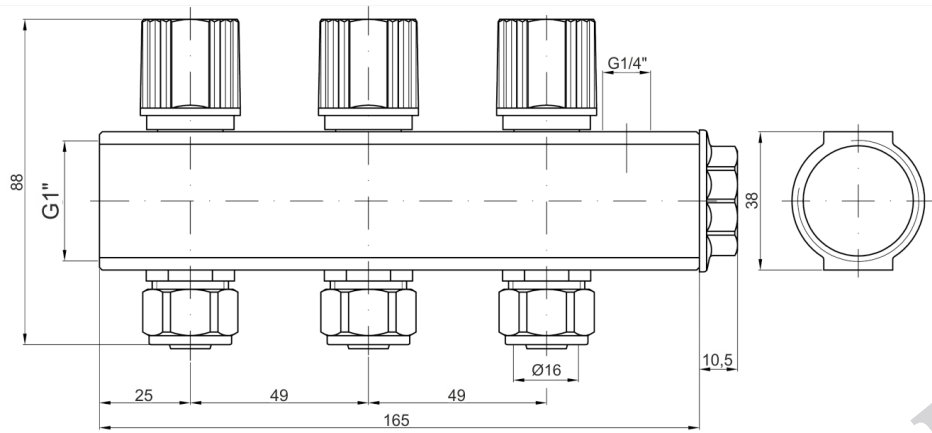


USAGE PROPERTIES

Conformity	-	-
Max.Water Temp.	110 °C	-
Max.Pressure	16 bar	-

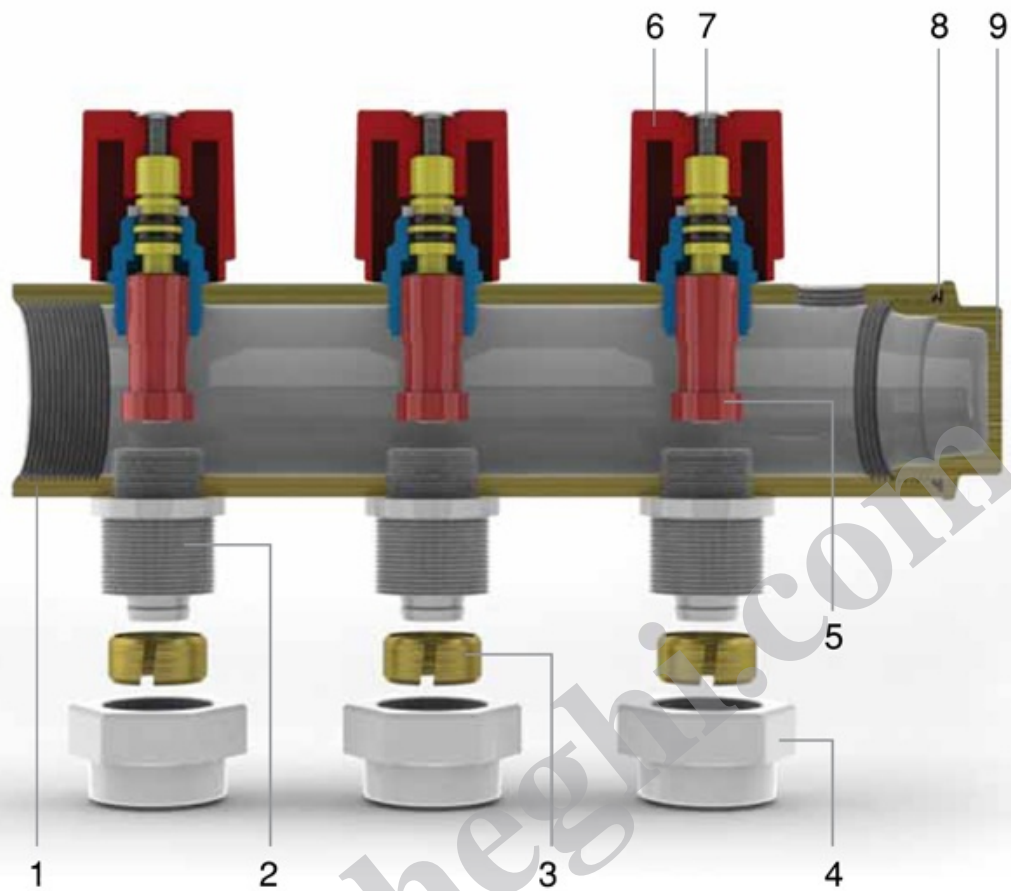
1430310
Manifolds

www.Laheghi.com



Model No: 1430310200

www.Laheghi.com



Constructional Properties

Part #	Part / Group Name	Material	Pcs	Explanation
1	Manifold Body	Brass CW617N	1	Nickel Plated
2	Union	Brass CW614N	1	Nickel Plated
3	Compression Ring	Brass CW614N	1	
4	Nut	Brass CW617N	1	Nickel Plated
5	Cartridge	Brass CW614N	1	
6	Knob	ABS	1	GP 22
7	Screw	Steel CQ 15	1	Nickel Plated
8	O-Ring	EPDM 70	1	01/U 70 EP
9	Manifold Cap	Brass CW617N	1	Nickel Plated